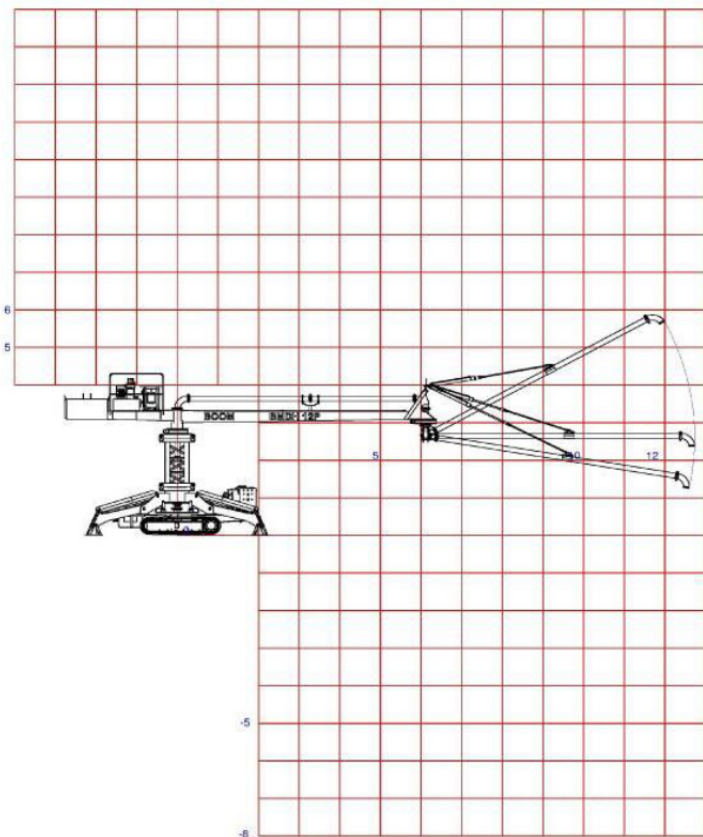


12-2 SPIDER PLACING BOOM

SELF-PROPELLED PLACER WITH FLEXIBLE HEIGHT TIP ARM

- Hydraulic outriggers for self-leveling on uneven terrain
- Self-propelled using a rugged track base with 47 HP diesel engine
- Flexible-height tip arm



Dimension	Metric	Imperial
Horizontal Reach	12 m	39.4 ft
Depth of Reach	1.7 m	5.6 ft
Outriggers	Hydraulic Up / Down	
Number of Boom Sections	2	
Folding System	Rotate / Rotate & Lift	
Rotation Range	370°	
Pipeline Diameter	125 mm	5 in
End Hose Length	3 m	10 ft
Control Mode	Remote or Manual	
Maximum Grade	7% Grade, 4°	
Engine	35 kW Diesel	
Total Weight	5,500 kg	12,100 lb