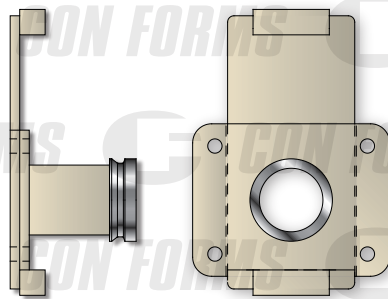


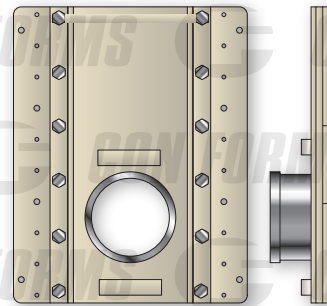
COLUMN SHUT-OFF

Features

The Column Shut-Off valve is designed for use on forms having flat or curved surfaces. Round forms of unusually small diameters may require a modified base plate, consult factory. The standard base plates provide multiple mounting holes, as shown in picture. Typical spacing is 8-10 feet maximum between valves. Forms must have sufficient opening at the top to prevent uplift of forms. Maximum rated working pressure of (V50CSD) is 200psi (14bar). Consult factory for details and ratings of other sizes.



SINGLE SIDED VALVE



COLUMN SHUT-OFF VALVE

Size (in / mm)	End Style		Single Sided
	Hevi-Duty	Metric	Hevi-Duty
2.0 / 50.8	-	-	V20SSCSD
2.5 / 63.5	V25CSD	-	V25SSCSD
3.0 / 76	V30CSD	-	V30SSCSD
4.0 / 102	V40CSD	-	-
5.0 / 125	V50CSD	V50CSM	-
6.0 / 152	V60CSD	-	-

800-223-3676



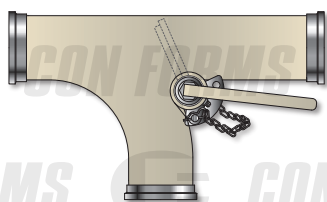
CONFORMS.COM



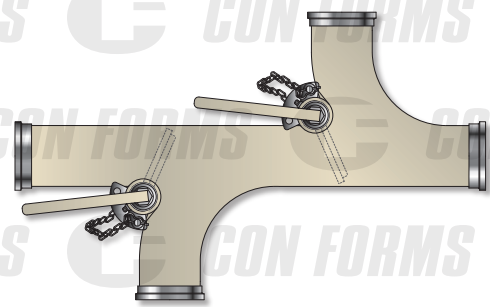
DIVERSION DISCHARGE

Features

Used on horizontal runs when changing flow of concrete is required, as in large wall and mat pours. Valves not to be used where high head pressures are involved.



DIVERSION DISCHARGE VALVE



DOUBLE DIVERSION DISCHARGE VALVE

Diversion Discharge Valve				
Size (in / mm)	Diversion Discharge Part Number	Shipping Weight (lbs / Kg)	Double Diversion Discharge Part Number	Shipping Weight (lbs / Kg)
4.0 / 102	V40DD02__	48.5 / 22.5	-	-
5.0 / 125	V50DD02__	78 / 35.5	V50BBD05__	166 / 75.3
6.0 / 152	V60DD02__	95 / 43	-	-

Specify type of ends required

800-223-3676



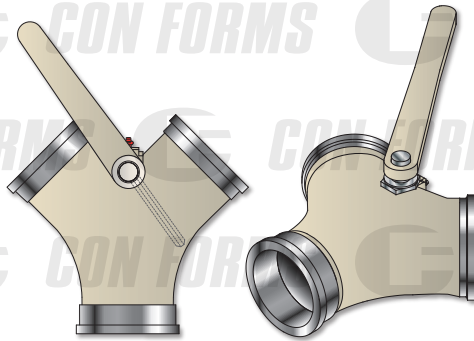
CONFORMS.COM



DIVERSION WYE

Features

Diversion wyes are used for going back and forth from one horizontal pumping line to another.



DIVERSION WYE VALVE

Diversion WYE Valve	
Size (in / mm)	Part Number
3.0 / 76	V30DY__
4.0 / 102	V40DY__
5.0 / 125	V50DY__
6.0 / 152	V60DY__

Specify type of ends required

800-223-3676



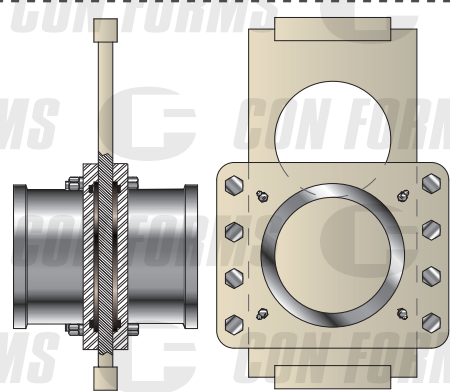
CONFORMS.COM



HAMMER SHUT-OFF

Features

The Hammer Shut-Off valve features versions with single or dual hardened seal rings. A heavy plate is used to construct the sliding plate and side plates. The removable side plates facilitate cleaning. Maximum pressure rating is 300 feet vertical.



HAMMER SHUT-OFF VALVE

Hammer Shut-Off Valve		
Size (in / mm)	Single Seal	Dual Seal
2.0 / 51	-	V20XHS__
2.5 / 63.5	-	V25XHS__
3.0 / 76	V30HS__-S	V30XHS__
4.0 / 102	V40HS__-S	V40XHS__
5.0 / 125	V50HS__-S	V50XHS__
6.0 / 152	V60HS__-S	V60XHS__

Specify type of ends required

800-223-3676



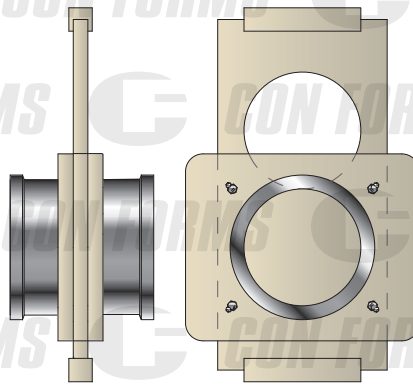
CONFORMS.COM



HOSE SHUT-OFF

Features

The Hose Shut-Off valve features a welded valve body assembly with a 3/8" steel sliding plate. This valve provides a lower cost alternative to the Hammer shut-off valve. This style valve can not be disassembled for cleaning, and has generous clearances built-in. Maximum pressure rating is 200 feet vertical end of line usage.



HOSE SHUT-OFF VALVE

Hose Shut-Off Valve		
Size (in / mm)	Pressure (bar / psi)	No Seal
2.0 / 51	14 / 200	V20HS__
2.5 / 63.5	14 / 200	V25HS__
3.0 / 76	14 / 200	V30HS__
4.0 / 102	14 / 200	V40HS__
5.0 / 125	14 / 200	V50HS__
6.0 / 152	14 / 200	V60HS__

Specify type of ends required

800-223-3676



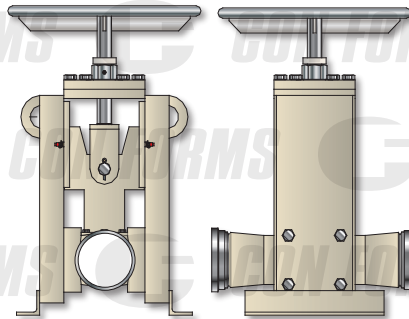
CONFORMS.COM



MANUAL SHUT-OFF

Features

The Manual Shut-Off valve features a cast valve body with heavy wall sections for wear. The main body is designed with a round to square transition sized to equalize concrete velocity through the valve. Teflon valve packing seals are easily adjusted to control leakage and can be replaced without disassembling the valve. Maximum rated working pressure is 400ft. and/or 122 meters (28bar/400psi) vertical rise of concrete line. Consult factory for 6" valve specifications. The same features can be found on our Hydraulic shut-off valve V50HSB & V60HSB. The hydraulic version uses a single cylinder to achieve valve closure.



MANUAL SHUT-OFF VALVE

Manual Shut-Off Valve	
Size (in / mm)	Part Number
4.0 / 102	V40SB__
5.0 / 125	V50SB__
6.0 / 152	V60SB__
Specify type of ends required	

800-223-3676



CONFORMS.COM

