

# ULTRA PLUS

**Features**

Our extended life single-wall system. Ultra Plus boom pipe is hardened through a multiple step heat treating process and offers CCI-lined weld ends.

**Specifications**

**Heat Treatment**

Multiple Step Process

**System**

DN125/5

**Wall Thickness**

4.8mm/.188"

**Hardness**

Up to 68HRc

**Working Pressure**

85 bar (1233psi)

**Pipe Weight**

10.1 lbs/ft (15 kg/m)

**FWC Weight**

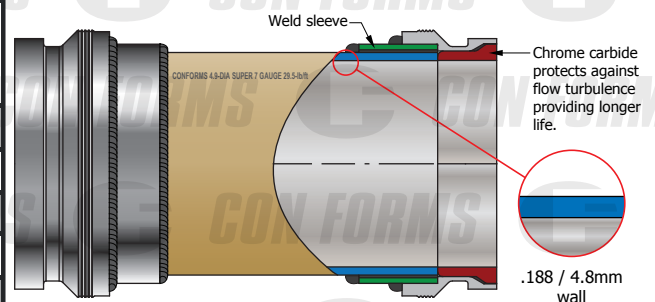
29.5 lbs/ft (43.9 kg/m)

**Complete System**

- Ultra Plus Deck Pipe
- CCI-Lined Deck Pipe
- CCI-Lined Elbows
- CCI-Lined Reducers
- CCI-Lined Backend Kit

Ultra Plus DN125/5 Boom Tube with 148mm chrome carbide insert (CCI) weld ends

Length (in)	Length (mm)	Approx. Shipping Weight (lbs / Kg)	Part Number
39.37	1000	37 / 17	BC573937MH
78.75	2000	70 / 32	BC577875MH
118.12	3000	103 / 47	BC57B812MH
157.50	4000	136 / 62	BC57F750MH
Make up length (consult factory)			BC57___MH
Other lengths are available upon request. Consult Factory			



**800-223-3676**



**CONFORMS.COM**

