

DN125/5 Impact

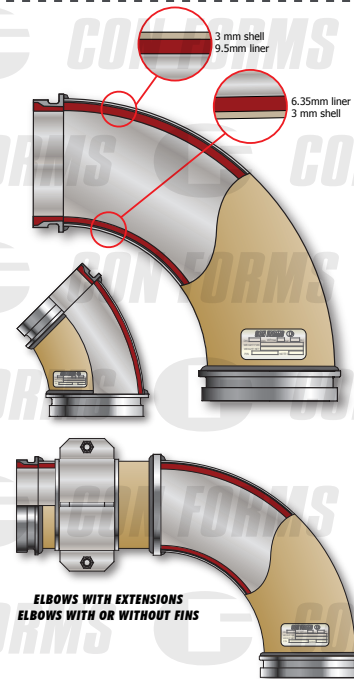
Specifications

<i>Elbow Liner</i>	<i>System</i>	<i>Wall Thickness</i>	<i>Hardness</i>
Chrome Carbide	DN125/5	Biased toward highest wear areas	600 to 650 Brinell
<i>Working Pressure</i>	<i>Pipe Weight</i>	<i>FWC Weight</i>	
85 bar (1233psi)	Varies per degree	Varies per degree	

Complete System

- Twin-Wall™ Boom Pipe
- Ultra Plus Boom Pipe
- CCI-Lined Backend Kit
- CCI-Lined Deck Pipe
- Twin-Wall™ Deck Pipe
- Ultra Plus Deck Pipe
- CCI-Lined Reducers

DN125/5 Boom Impact Elbows with 148mm chrome carbide insert (CCI) weld ends			
Degree of Angle	System (mm/in)	Shipping Weight (lbs / Kg)	Part Number
90	125/5	34 / 15.4	270M09166
Other bend angles and ends are available upon request			



800-223-3676



CONFORMS.COM

