

Chrome Carbide Lined BOOM ELBOW

DN125/5

Specifications

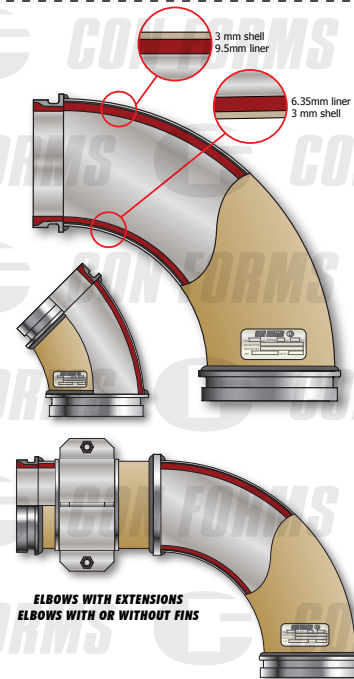
Elbow Liner	System	Wall Thickness	Hardness
Chrome Carbide	DN125/5	Biased toward highest wear areas	600 to 650 Brinell
Working Pressure		Pipe Weight	FWC Weight
85 bar (1233psi)		Varies per degree	Varies per degree

Complete System

- Twin-Wall™ Boom Pipe
- Ultra Plus Boom Pipe
- CCI-Lined Backend Kit
- CCI-Lined Deck Pipe
- Twin-Wall™ Deck Pipe
- Ultra Plus Deck Pipe
- CCI-Lined Reducers

DN125/5 Boom Elbows with 148mm chrome carbide insert (CCI) weld ends			
Degree of Angle	System (mm/in)	Shipping Weight (lbs / Kg)	Part Number
10	125/5	8 / 3.6	265M11157
15	125/5	10 / 4.5	265M09564
20	125/5	11 / 5	265M11123
30	125/5	13 / 5.9	265M11012
32.5	125/5	17 / 7.7	265M11753
45	125/5	17 / 7.7	265M10491
90	125/5	36 / 16.3	265M09166
90	125/5 short radius	30 / 13.6	265M11158

Other bend angles and ends are available upon request



800-223-3676



CONFORMS.COM

