

DN117/4.6

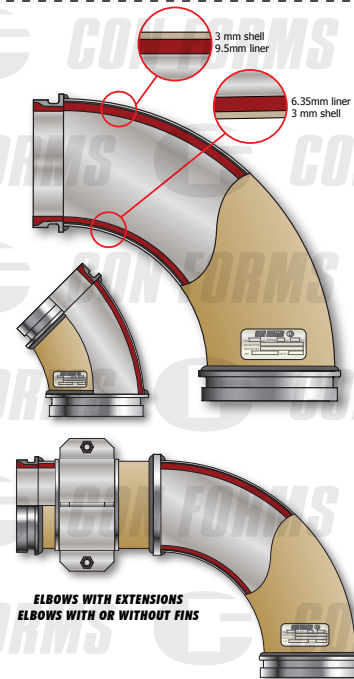
Specifications

<i>Elbow Liner</i>	<i>System</i>	<i>Wall Thickness</i>	<i>Hardness</i>
Chrome Carbide	DN117/4.6	Biased toward highest wear areas	600 to 650 Brinell
<i>Working Pressure</i>	<i>Pipe Weight</i>	<i>FWC Weight</i>	
85 bar (1233psi)	Varies per degree	Varies per degree	

Complete System

- Twin-Wall™ Boom Pipe
- Ultra Plus Boom Pipe
- CCI-Lined Backend Kit
- CCI-Lined Deck Pipe
- Twin-Wall™ Deck Pipe
- Ultra Plus Deck Pipe
- CCI-Lined Reducers

DN117/4.6 Boom Elbows with 148mm chrome carbide insert (CCI) weld ends			
Degree of Angle	System (mm/in)	Shipping Weight (lbs / Kg)	Part Number
15	117/4.6	11 / 5	265M16603
20	117/4.6	11.5 / 5.2	265M16447
30	117/4.6	13.5 / 6	265M16446
45	117/4.6	19 / 8.6	265M17062
90	117/4.6	30.5 / 13.8	265M16442
Other bend angles and ends are available upon request			



800-223-3676



CONFORMS.COM

