

Twin-Wall 275

Specifications

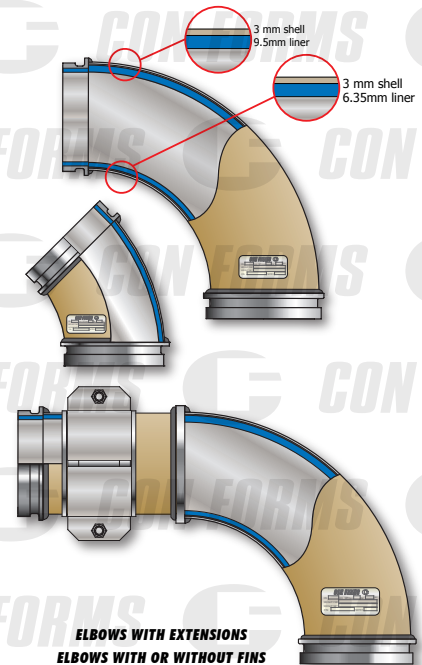
<i>Elbow Liner</i>	<i>System</i>	<i>Wall Thickness</i>	<i>Hardness</i>
Hardened Steel	DN125/5	Biased toward highest wear areas	Up to 55-60 HRC
<i>Working Pressure</i>	<i>Pipe Weight</i>	<i>FWC Weight</i>	
85 bar (1233psi)	Varies per degree	Varies per degree	

Complete System

- TW275 Boom Pipe
- Twin-Wall™ Deck Pipe
- Twin-Wall Backend Elbows
- CCI-Lined Deck Pipe
- Twin-Wall Reducers
- CCI-Lined Reducers
- CCI-Lined Backend Kit

DN125/5 Boom Elbows with 148mm hardened steel insert weld ends			
Degree of Angle	System (mm/in)	Shipping Weight (lbs / Kg)	Part Number
10	125/5	8 / 3.6	275M11157
15	125/5	10 / 4.5	275M09564
20	125/5	11 / 5	275M11123
30	125/5	13 / 5.9	275M11012
32.5	125/5	17 / 7.7	275M11753
45	125/5	17 / 7.7	275M10491
90	125/5	36 / 16.3	275M09166

Other bend angles and ends are available upon request



800-223-3676



CON FORMS

CONFORMS.COM

