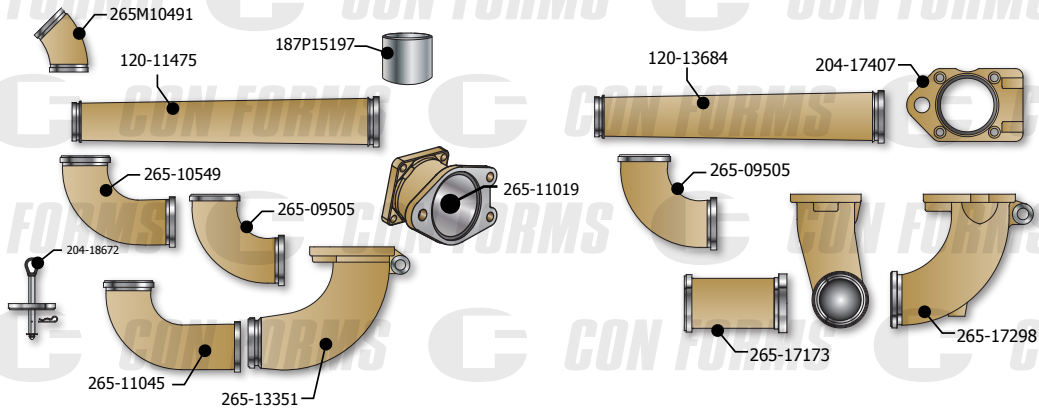


Chrome Carbide Lined BACKEND KITS

Schwing



Components

Schwing Backend Kit		
Size (mm/in)	Component Description	Part Number
DN125/5	45 degree CCI Lined Elbow	265M10491
DN150/6-DN125/5	63" lg. (1600mm) CCI-Reducer	120-11475
DN150/6	90-Degree CCI-Lined Elbow Long Tangent	265-11045
DN150/6	90-Degree CCI Lined Elbow Short Tangent	265-10549
DN150/6	90-Degree CCI-Lined Elbow No Tangent	265-09505
DN180/7-DN150/6	CCI-Lined Reducing Elbow	265-13351
DN180/7	14-Degree CCI-Lined Hopper Elbow	265-11019
	CCI (Chrome Carbide Insert) Rock Valve Outlet Port	187P15197
DN150/6	Adjustable Ball Stop and Grout Port Cap	204-18672
Other reducer lengths and end configurations are available upon request. Other elbow degrees and end configurations are available upon request. Harsh Mix configurations are available upon request. Consult factory.		

Schwing Backend Kit		
Size (mm/in)	Component Description	Part Number
DN180/7	Hinge Mount Plate for 7 to 6 Elbow (127P17298)	204-17407
DN180/7-DN150/6	CCI-Lined Reducing Elbow w/Offset	265-17298
DN150/6	Break-Out Straight Section Male to Female Ends	265-17173
DN150/6	90-Degree CCI-Lined Elbow No Tangent	265-09505
DN150/6-DN125/5	59.06" lg. (1500mm) CCI-Lined Reducer	120-13684

800-223-3676



CONFORMS.COM

