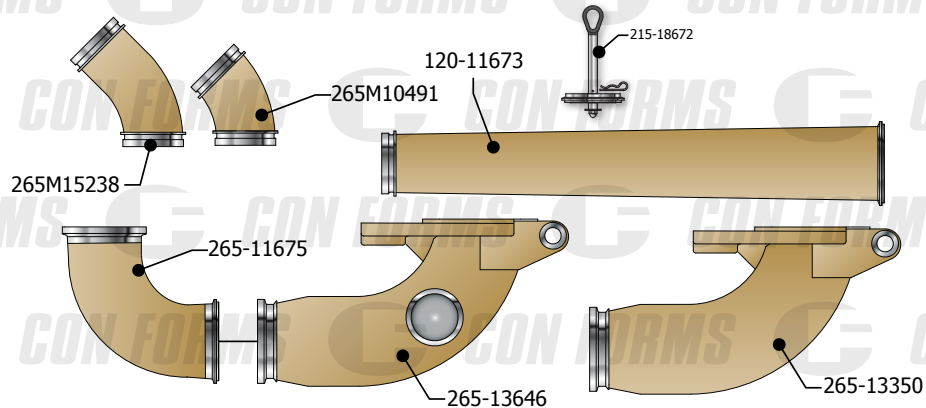


Putzmeister



Components

Putzmeister / Jun Jin Backend Kit

Size (mm/in)	Component Description	Part Number
DN125/5	45 degree CCI Lined Elbow	265M10491
DN125/5	45 degree CCI Lined Elbow with tangent	265M15238
DN150/5.75-DN125/5	47.25" lg. (1200mm) CCI Lined Reducer	120-11673
DN180/7-DN150/6	90-degree CCI Lined Elbow	265-11675
DN180/7-DN150/6	CCI Lined Reducing Elbow without Grout Port	265-13350
DN180/7-DN150/6	CCI Lined Reducing Elbow with Grout Port	265-13646
DN125/5	Adjustable Ball Stop and Grout Port Cap	215-18672

Other reducer lengths and end configurations are available upon request.
 Other elbow degrees and end configurations are available upon request.
 Harsh Mix configurations are available upon request. Consult factory.

Complete System

- Twin-Wall Boom Pipe
- Ultra Plus Boom Pipe
- CCI Lined Reducers
- CCI-Lined Deck Pipe
- Twin-Wall Deck Pipe
- For Couplings consult factory
- Ultra Plus Deck Pipe
- CCI Lined Elbows

800-223-3676



CONFORMS.COM

