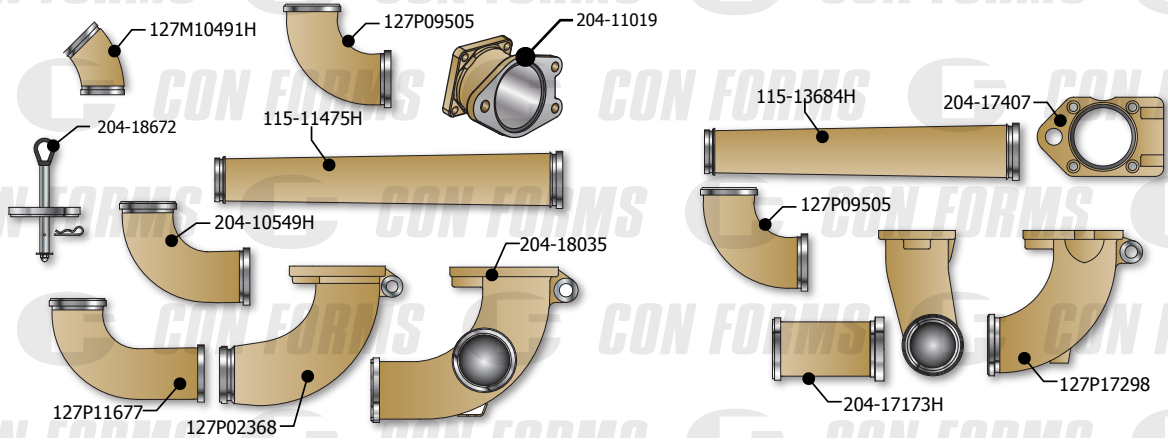


# Schwing



Components

Schwing Backend Kit		
Size (mm/in)	Component Description	Part Number
DN125/5	45 degree Cast Steel Elbow	127M10491H
DN150/6-DN125/5	63" lg. (1600mm) Steel Reducer	115-11475H
DN150/6	90-Degree Cast Steel Elbow Long Tangent	127P11677
DN150/6	90-Degree Cast Steel Elbow Short Tangent	204-10549H
DN150/6	90-Degree Cast Steel Elbow No Tangent	127P09505
DN180/7-DN150/6	Cast Steel Reducing Elbow	127P02368
DN180/7	14-Degree Hopper Elbow	204-11019
DN150/6	Adjustable Ball Stop and Grout Port Cap	204-18672
Other reducer lengths and end configurations are available upon request Other elbow degrees and end configurations are available upon request. Harsh Mix configurations are available upon request. Consult factory.		

Schwing Backend Kit		
Size (mm/in)	Component Description	Part Number
DN180/7	Hinge Mount Plate for 7 to 6 Elbow (127P17298)	204-17407
DN180/7-DN150/6	Cast Steel Reducing Elbow w/Offset	127P17298
DN150/6	Break-Out Straight Section Male to Female Ends	204-17173H
DN150/6	90-Degree Cast Steel Elbow No Tangent	127P09505
DN150/6-DN125/5	59.06" lg. (1500mm) Steel Reducer	115-13684H

**800-223-3676**



**CONFORMS.COM**

