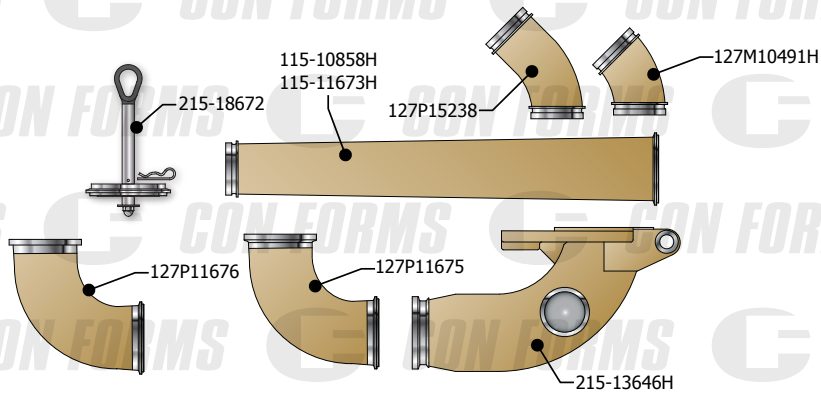


Putzmeister



Components

Putzmeister / Jun Jin Backend Kit

Size (mm/in)	Component Description	Part Number
DN125/5	45 degree Cast Manganese Elbow with tangent	127P15238
DN125/5	45 degree Cast Steel Elbow	127M10491H
DN150/5.75-DN125/5	47.25" lg. (1200mm) Steel Reducer "ZX" End	115-11673H
DN150/5.75-DN125/5	47.25" lg. (1200mm) Steel Reducer "SK" End	115-10858H
DN150/6	90 degree Cast Steel Elbow "ZX" End	127P11675
DN150/6	90 degree Cast Steel Elbow "SK" End	127P11676
DN180/7-DN150/6	Cast Steel Reducing Elbow with Grout Port	215-13646H
DN125/5	Adjustable Ball Stop and Grout Port Cap	215-18672

Other reducer lengths and end configurations are available upon request
 Other elbow degrees and end configurations are available upon request.
 Harsh Mix configurations are available upon request. Consult factory.

Complete System

- Ultra III, Ultra II or XL-92 Boom Pipe
- Ultra III, Ultra II or XL-92 Deck Pipe
- Hardened Steel Reducers
- Cast Manganese Elbows
- For Couplings consult factory

800-223-3676



CONFORMS.COM

